

TECHNICAL SPECIFICATION

6D TEST POST



Written by:	Checked by:	Approved by:

TABLE OF CONTENTS

1 DESCRIPTION.....	3
2 EQUIPMENT.....	3
3 OVERALL DIMENSIONS.....	3
A 1 INSTALLATION OF TEST POST	5
A1-1 SIMPLE.....	5



1 DESCRIPTION

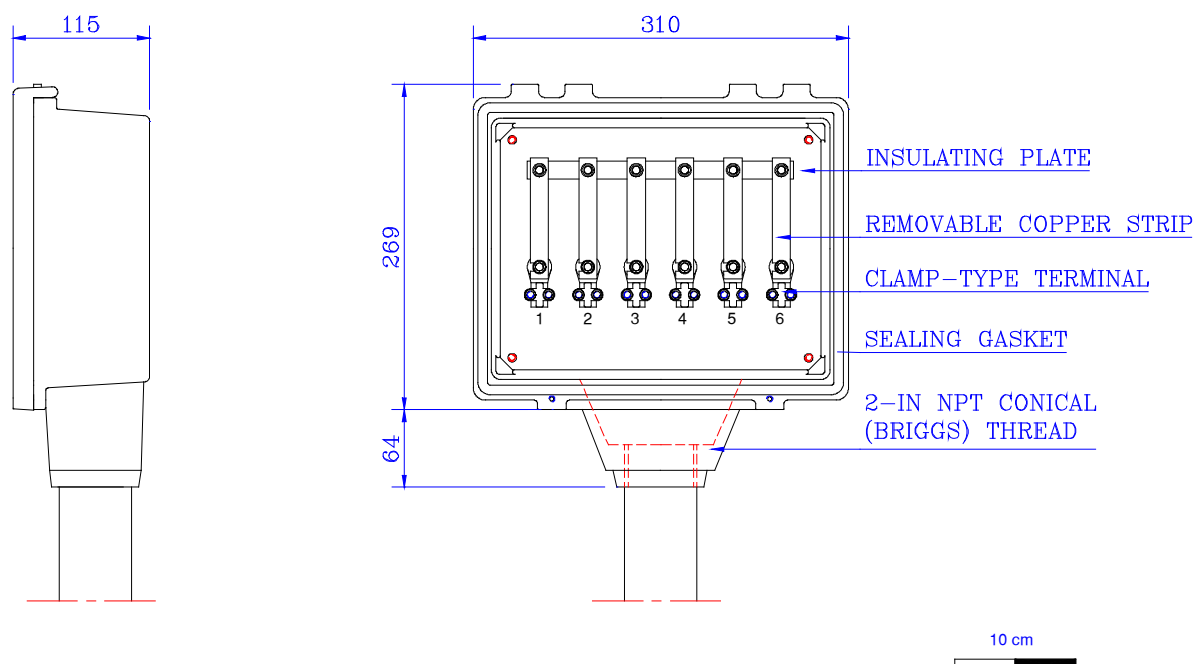
More than a mere potential test post in electrical continuity with the cathodic protected structure, the 6D test post is commonly used to connect buried cathodic protection devices. It allows the performance of potential or current measurements depending on the connected equipment.

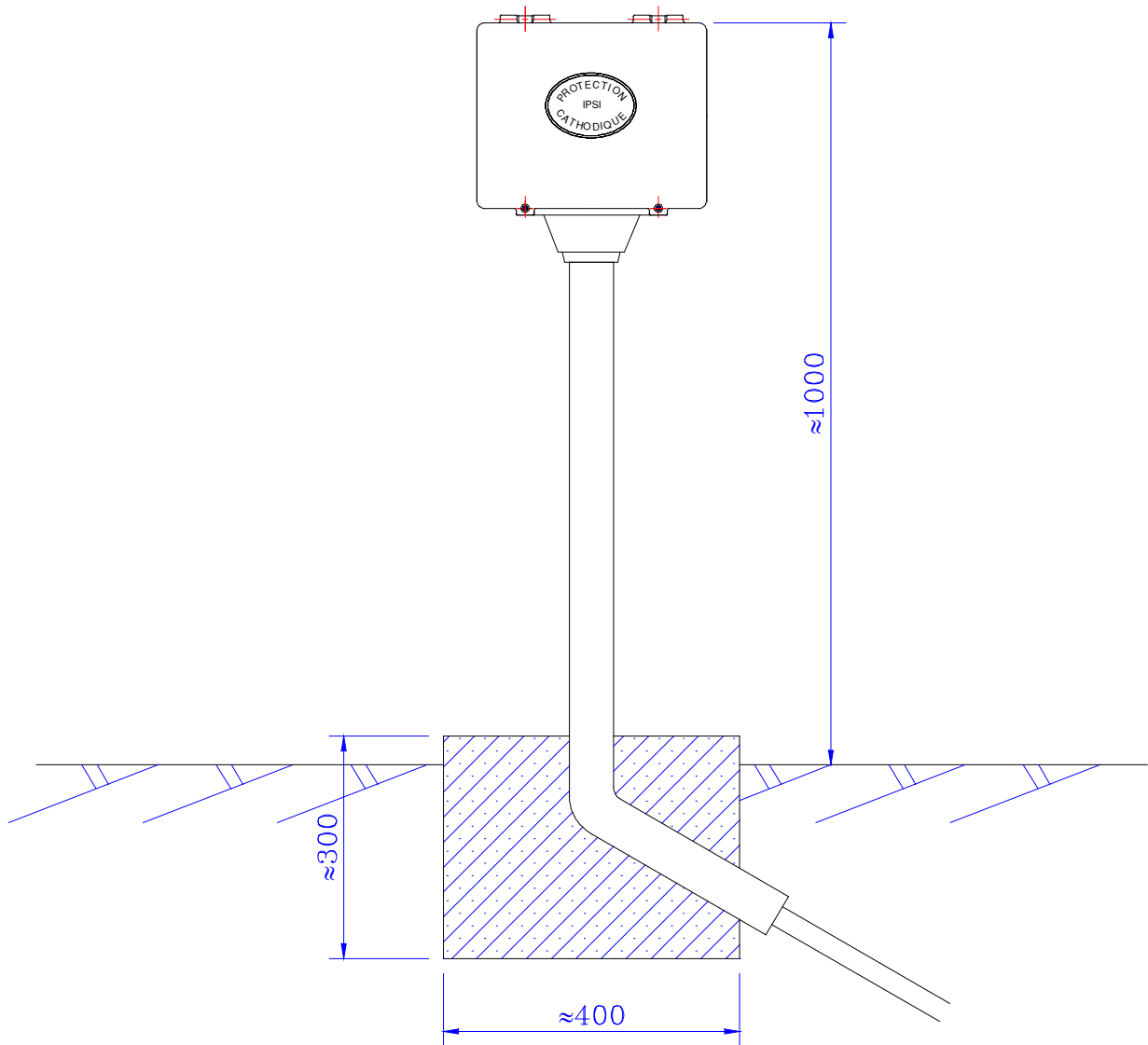
2 EQUIPMENT

The 6D test post is equipped with:

- One rectangular cast aluminum box
- Six removable copper connecting strips
- One copper bus bar
- One insulating plate for the connecting strips and the bus bar
- One stand made of dia. 2 inch galvanized steel tube

3 OVERALL DIMENSIONS





20cm



Société Internationale de Produits et Services Industriels

102 rue J.-B. Charcot
92400 Courbevoie - France

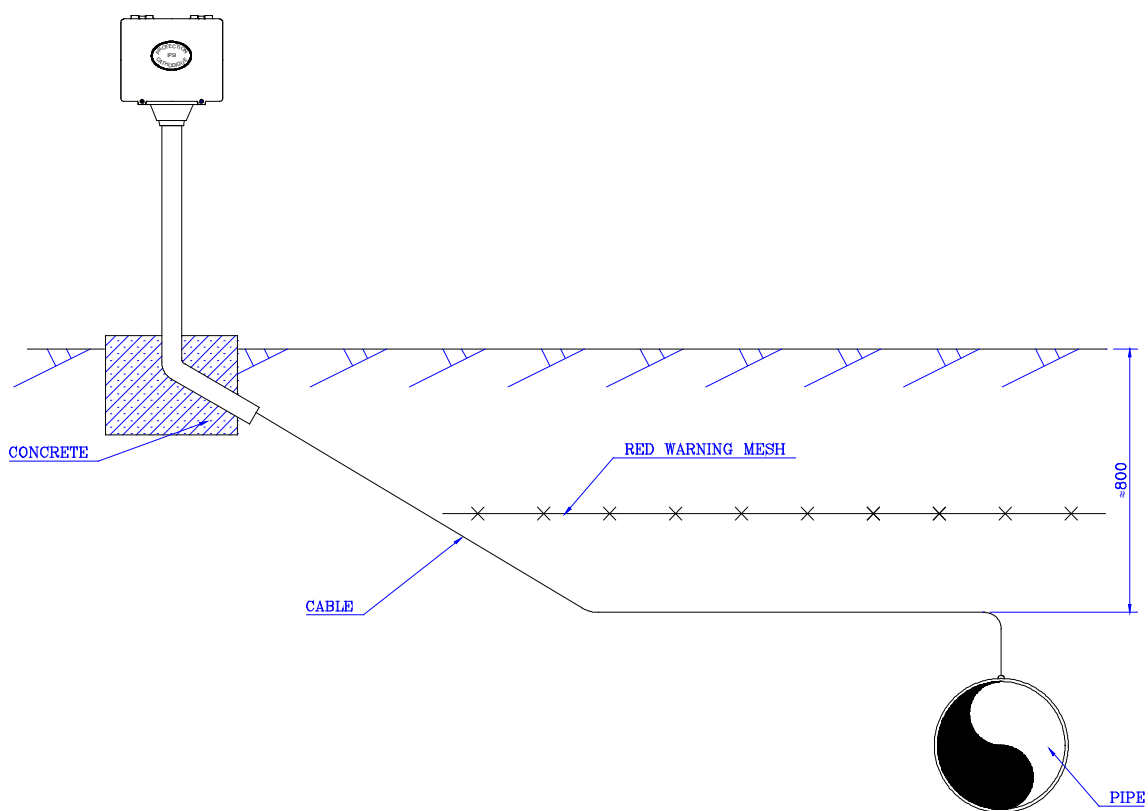
☎ : (33) 01 47 68 75 00

✉ : ipsi@ipsifrance.com

☎ : (33) 01 47 89 99 39

A1 INSTALLATION OF TEST POST

A1-1 SIMPLE



CHANNEL	DESCRIPTION	REMOVABLE CONNECTING STRIP	CABLE
1	PIPE	CONNECTED	
2		CONNECTED	
3		CONNECTED	
4		CONNECTED	
5		CONNECTED	
6		CONNECTED	



Société Internationale de Produits et Services Industriels

102 rue J.-B. Charcot
92400 Courbevoie - France

☎ : (33) 01 47 68 75 00

✉ : ipsi@ipsifrance.com

☎ : (33) 01 47 89 99 39